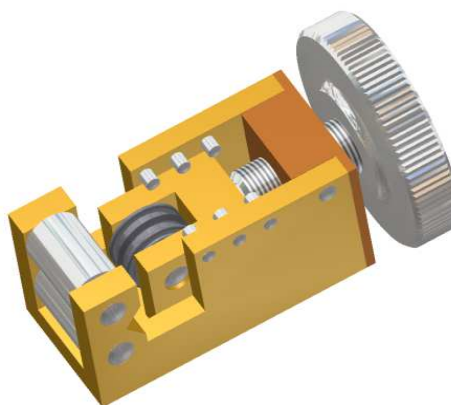


Design

Steel tube cutting tool



Characteristics

- Tool for cutting steel tubes up to 5,7mm diameter.
- Specially shaped blade indents the steel tube to protect the optical fibres.



Order number

10116136 Steel tube cutter STC-III